

FRONT ELEVATION

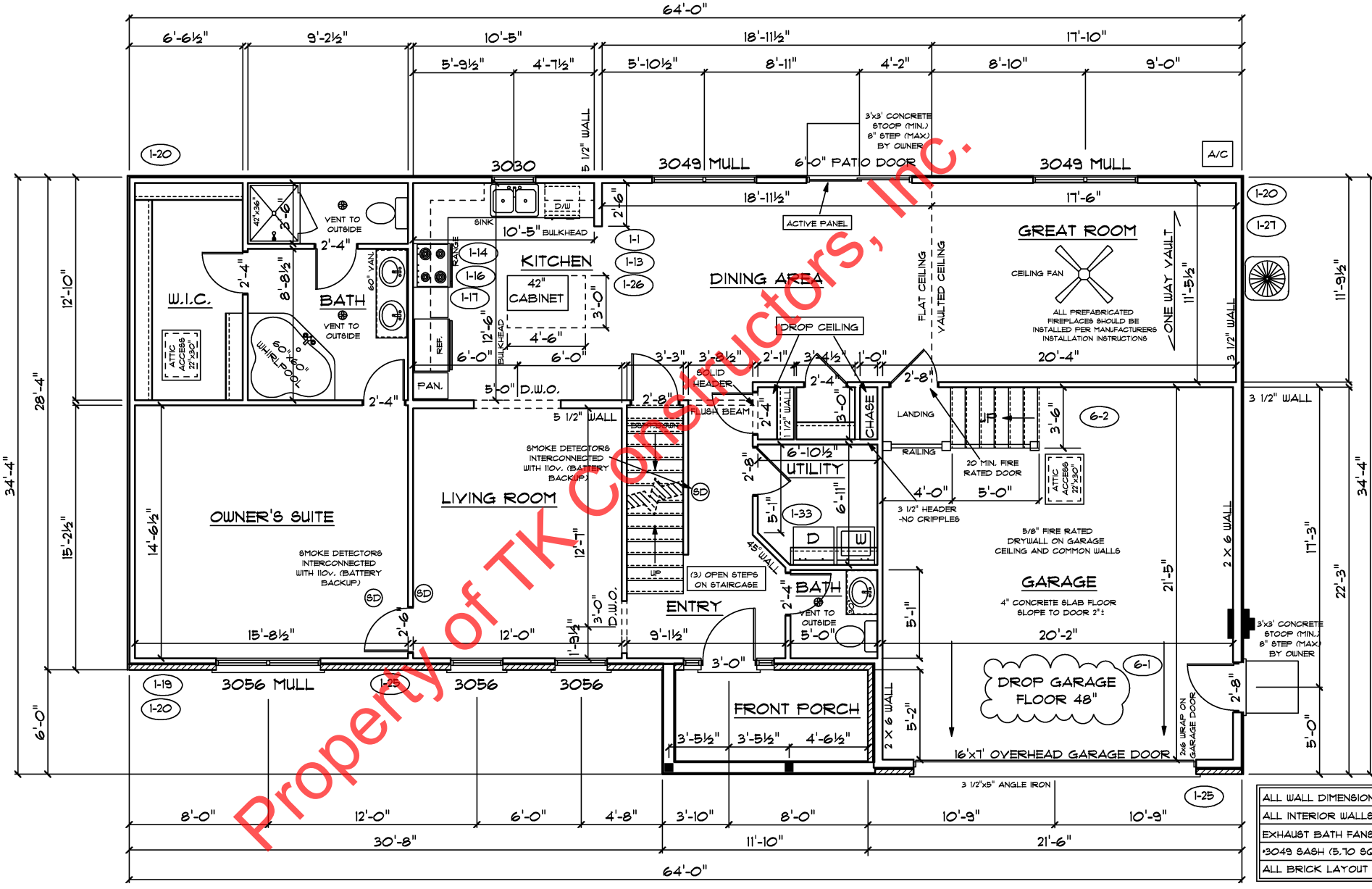


1-11 1-34
1-30 1-31 1-32
FIRST FLOOR PLAN

**ANDERSEN WINDOW SCHEDULE
- 200 SERIES -**

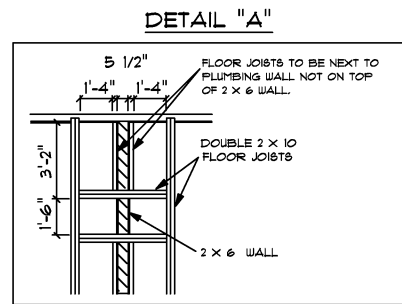
ANDERSEN MODEL NO.	R.O. SIZE
3030	36" x 36"
3040	36" x 48"
3049*	36" x 57"
3056*	36" x 66"
3060*	36" x 72"
3049 MULL*	73" x 57"
3056 MULL*	73" x 66"
3060 MULL*	73" x 72"
ANDERSEN SLIDING DOOR R.O. 72 3/4" x 82 7/8"	
3'-0" FRONT DOOR R.O. 38 3/8" x 82 1/2"	
3'-0" FRONT DOOR WITH (1) SIDELITE R.O. 51 7/8" x 82 1/2"	
3'-0" FRONT DOOR WITH (2) SIDELITES R.O. 65 3/8" x 82 1/2"	
R.O. FOR BI-FOLD DOORS USING DRYWALL JAMB FACING = 1 1/4" + DOOR SIZE x (81 1/2")	
R.O. FOR BYPASS DOORS USING DRYWALL JAMB FACING MAKE SAME AS BOTH DOORS ADDED TOGETHER	
ALL INTERIOR DOORS SIZE + 2" TO WIDTH x 82 1/2" HIGH	
R.O. POCKET DOOR (2x DOOR WIDTH + 1") x 85" HIGH	

* - DENOTES OPENING MEETS
EGRESS REQUIREMENTS

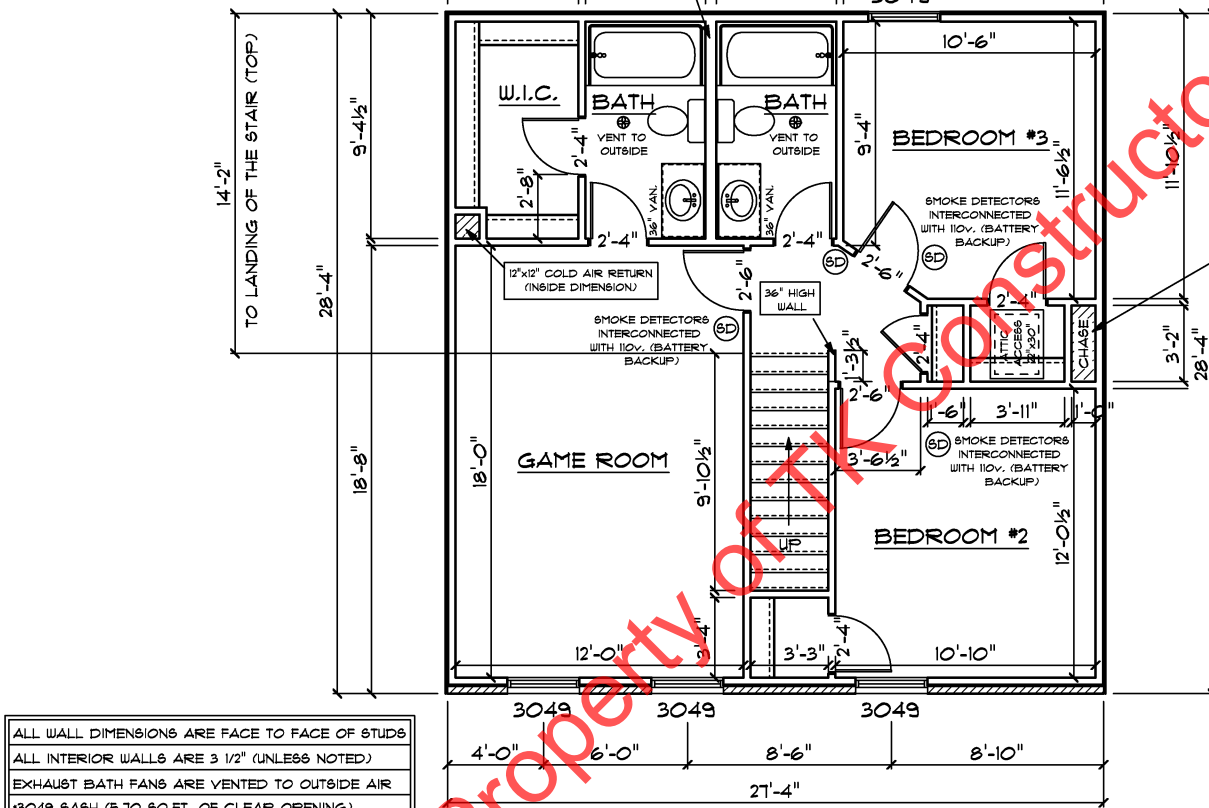


ALL WALL DIMENSIONS ARE FACE TO FACE OF STUDS
ALL INTERIOR WALLS ARE 3 1/2" (UNLESS NOTED)
EXHAUST BATH FANS ARE VENTED TO OUTSIDE AIR
*3049 SASH (5.70 SQ.FT. OF CLEAR OPENING)
ALL BRICK LAYOUT MEASUREMENTS ARE 4"





SEE DETAIL "A" FOR FLOOR JOIST LAYOUT



ALL WALL DIMENSIONS ARE FACE TO FACE OF STUDS
 ALL INTERIOR WALLS ARE 3/2" (UNLESS NOTED)
 EXHAUST BATH FANS ARE VENTED TO OUTSIDE AIR
 3049 SASH (5.70 SQ.FT. OF CLEAR OPENING)
 ALL BRICK LAYOUT MEASUREMENTS ARE 4"

SECOND FLOOR PLAN

FIRST FLOOR SQ.FT.	1471
SECOND FLOOR SQ.FT.	774
TOTAL LIVING SQ.FT.	2251
GARAGE	464
TOTAL SQ.FT.	2715
EXCLUDING PORCH	72

ANDERSEN WINDOW SCHEDULE
 - 200 SERIES -

ANDERSEN MODEL NO.	R.O. SIZE
3030	36" x 36"
3040	36" x 48"
3049*	36" x 51"
3056*	36" x 66"
3060*	36" x 72"
3049 MULL*	73" x 51"
3056 MULL*	73" x 66"
3060 MULL*	73" x 72"

ANDERSEN SLIDING DOOR R.O. 12 3/4" x 82 7/8"
3'-0" FRONT DOOR R.O. 38 3/8" x 82 1/2"
3'-0" FRONT DOOR WITH (1) SIDELITE R.O. 51 7/8" x 82 1/2"
3'-0" FRONT DOOR WITH (2) SIDELITES R.O. 65 3/8" x 82 1/2"
R.O. FOR BI-FOLD DOORS USING DRYWALL JAMB FACING = 1 1/4" + DOOR SIZE x (81 1/2")
R.O. FOR BYPASS DOORS USING DRYWALL JAMB FACING MAKE SAME AS BOTH DOORS ADDED TOGETHER
ALL INTERIOR DOORS SIZE + 2" TO WIDTH x 82 1/2" HIGH
R.O. POCKET DOOR (2x DOOR WIDTH + 1") x 85" HIGH

* - DENOTES OPENING MEETS EGRESS REQUIREMENTS

