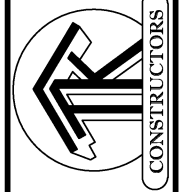


FRONT ELEVATION

NOTE: STOOPS, STEPS, APRON AND DRIVE BY OWNER

Property of TK Constructors, Inc.



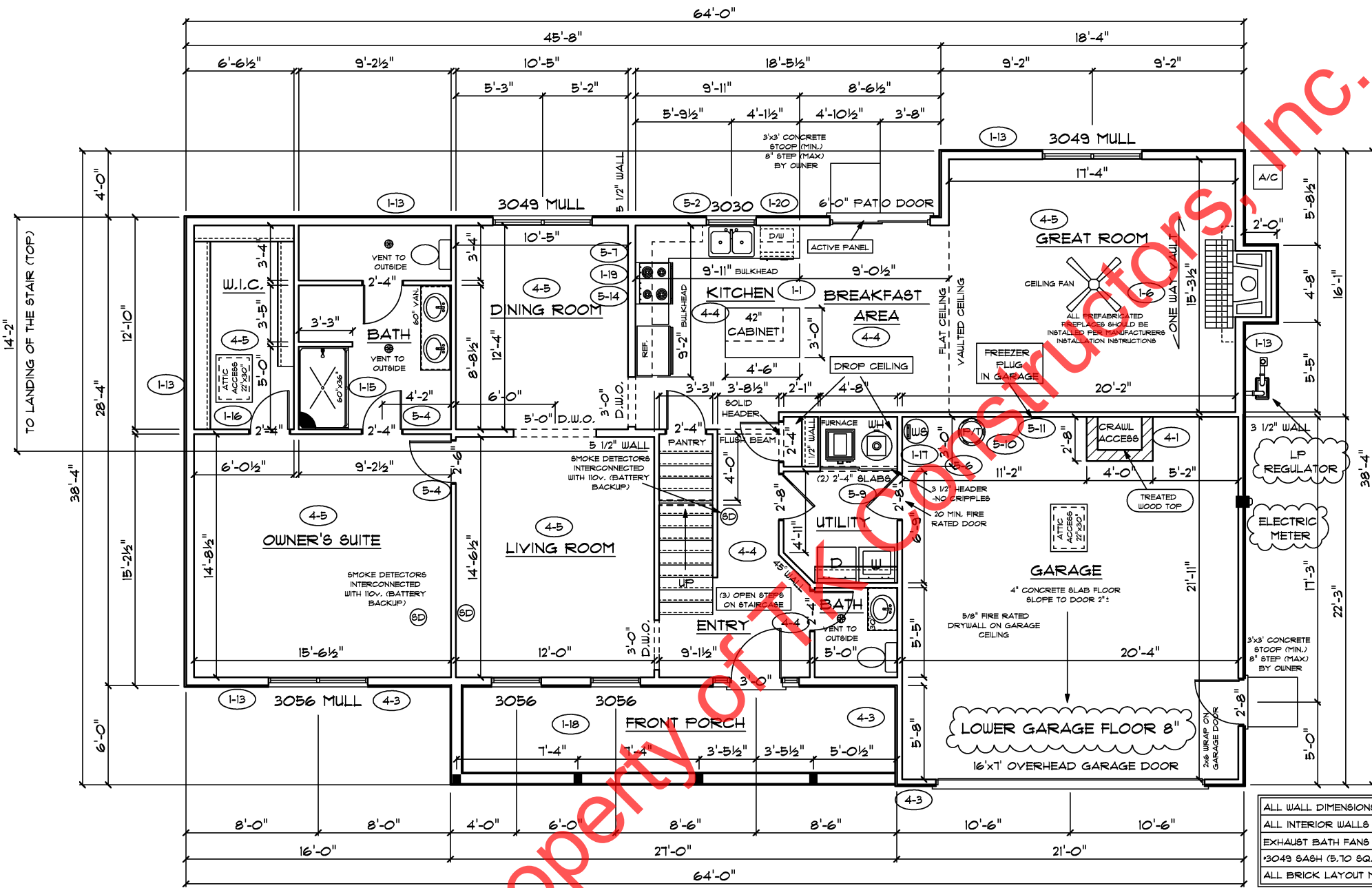


FIRST FLOOR PLAN

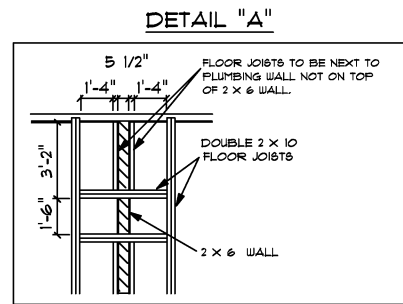
ANDERSEN WINDOW SCHEDULE - 200 SERIES -

ANDERSEN MODEL NO.	R.O. SIZE
3030	36" x 36"
3040	36" x 48"
3049*	36" x 57"
3056*	36" x 66"
3060*	36" x 72"
3049 MULL*	73" x 57"
3056 MULL*	73" x 66"
3060 MULL*	73" x 72"
ANDERSEN SLIDING DOOR R.O. 72 3/4" x 82 1/8"	
3'-0" FRONT DOOR R.O. 38 3/8" x 82 1/2"	
3'-0" FRONT DOOR WITH (1) SIDELITE R.O. 51 1/8" x 82 1/2"	
3'-0" FRONT DOOR WITH (2) SIDELITES R.O. 65 3/8" x 82 1/2"	
R.O. FOR BI-FOLD DOORS USING DRYWALL JAMB FACING = 1 1/4" + DOOR SIZE x (81 1/2")	
R.O. FOR BYPASS DOORS USING DRYWALL JAMB FACING MAKE SAME AS BOTH DOORS ADDED TOGETHER	
ALL INTERIOR DOORS SIZE + 2" TO WIDTH x 82 1/2" HIGH	
R.O. POCKET DOOR (2x DOOR WIDTH + 1") x 85" HIGH	

* - DENOTES OPENING MEETS EGRESS REQUIREMENTS

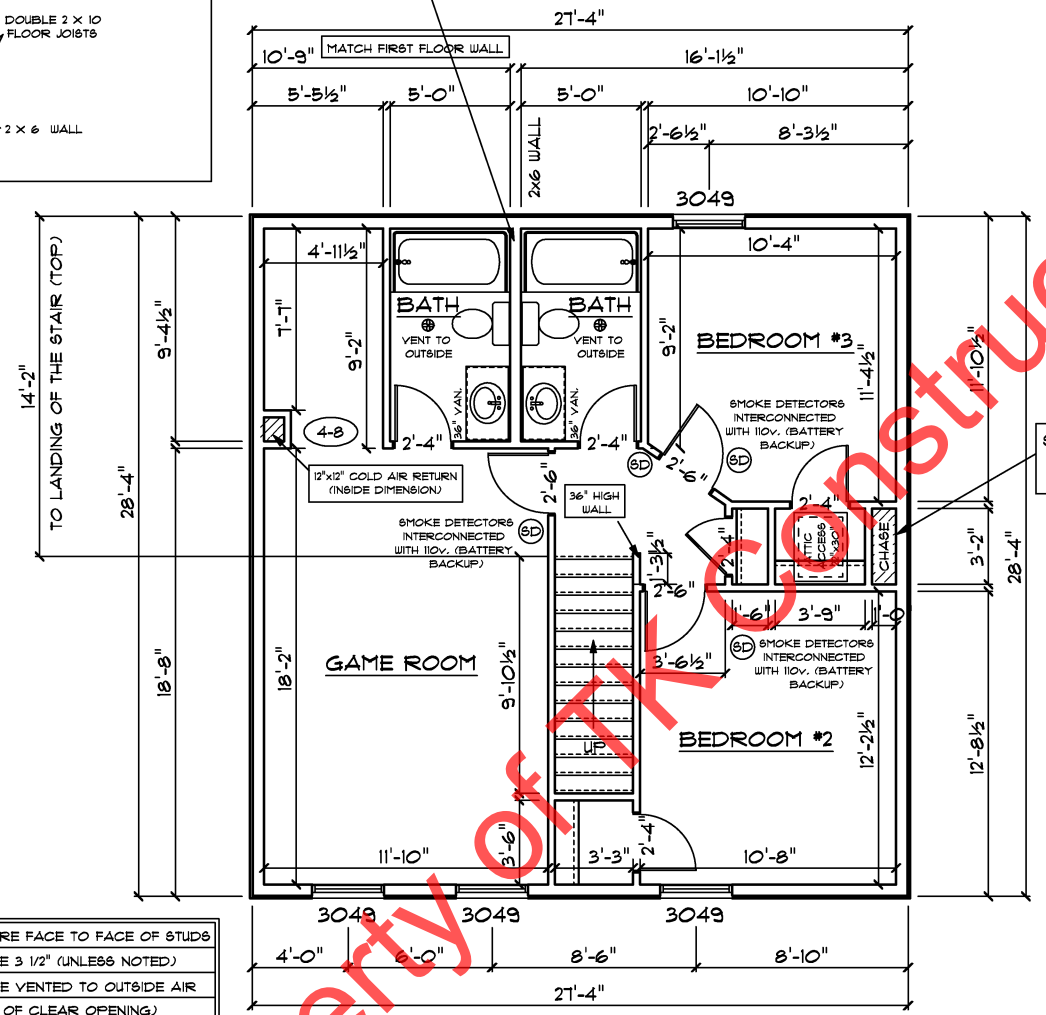


ENTIRE INSIDE OF HOUSE TO BE SOFTWATER
- OUTSIDE SILLCOCKS ARE HARD WATER



SEE DETAIL "A" FOR FLOOR JOIST LAYOUT

ALL WALL DIMENSIONS ARE FACE TO FACE OF STUDS
 ALL INTERIOR WALLS ARE 3/2" (UNLESS NOTED)
 EXHAUST BATH FANS ARE VENTED TO OUTSIDE AIR
 3049 SASH (5.70 SQ.FT. OF CLEAR OPENING)
 ALL BRICK LAYOUT MEASUREMENTS ARE 4"



SECOND FLOOR PLAN

FIRST FLOOR SQ.FT.	1,550
SECOND FLOOR SQ.FT.	714
TOTAL LIVING SQ.FT.	2,324
GARAGE	464
TOTAL SQ.FT.	2,788
EXCLUDING PORCH	160

ANDERSEN WINDOW SCHEDULE - 200 SERIES -

ANDERSEN MODEL NO.	R.O. SIZE
3030	36" x 36"
3040	36" x 48"
3049*	36" x 57"
3056*	36" x 66"
3060*	36" x 72"
3049 MULL*	73" x 57"
3056 MULL*	73" x 66"
3060 MULL*	73" x 72"
ANDERSEN SLIDING DOOR R.O. 72 3/4" x 82 1/8"	
3'-0" FRONT DOOR R.O. 38 3/8" x 82 1/2"	
3'-0" FRONT DOOR WITH (1) SIDELITE R.O. 51 7/8" x 82 1/2"	
3'-0" FRONT DOOR WITH (2) SIDELITES R.O. 65 3/8" x 82 1/2"	
R.O. FOR BI-FOLD DOORS USING DRYWALL JAMB FACING = 1 1/4" + DOOR SIZE x (81 1/2")	
R.O. FOR BYPASS DOORS USING DRYWALL JAMB FACING MAKE SAME AS BOTH DOORS ADDED TOGETHER	
ALL INTERIOR DOORS SIZE + 2" TO WIDTH x 82 1/2" HIGH	
R.O. POCKET DOOR (2x DOOR WIDTH + 1") x 85" HIGH	

* - DENOTES OPENING MEETS EGRESS REQUIREMENTS

Property of TK Constructors, Inc.