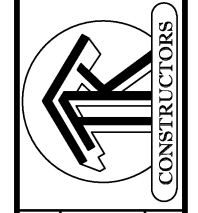


PROPERTY OF TK CONSTRUCTORS, INC



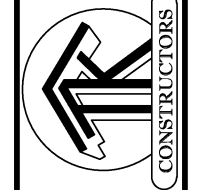
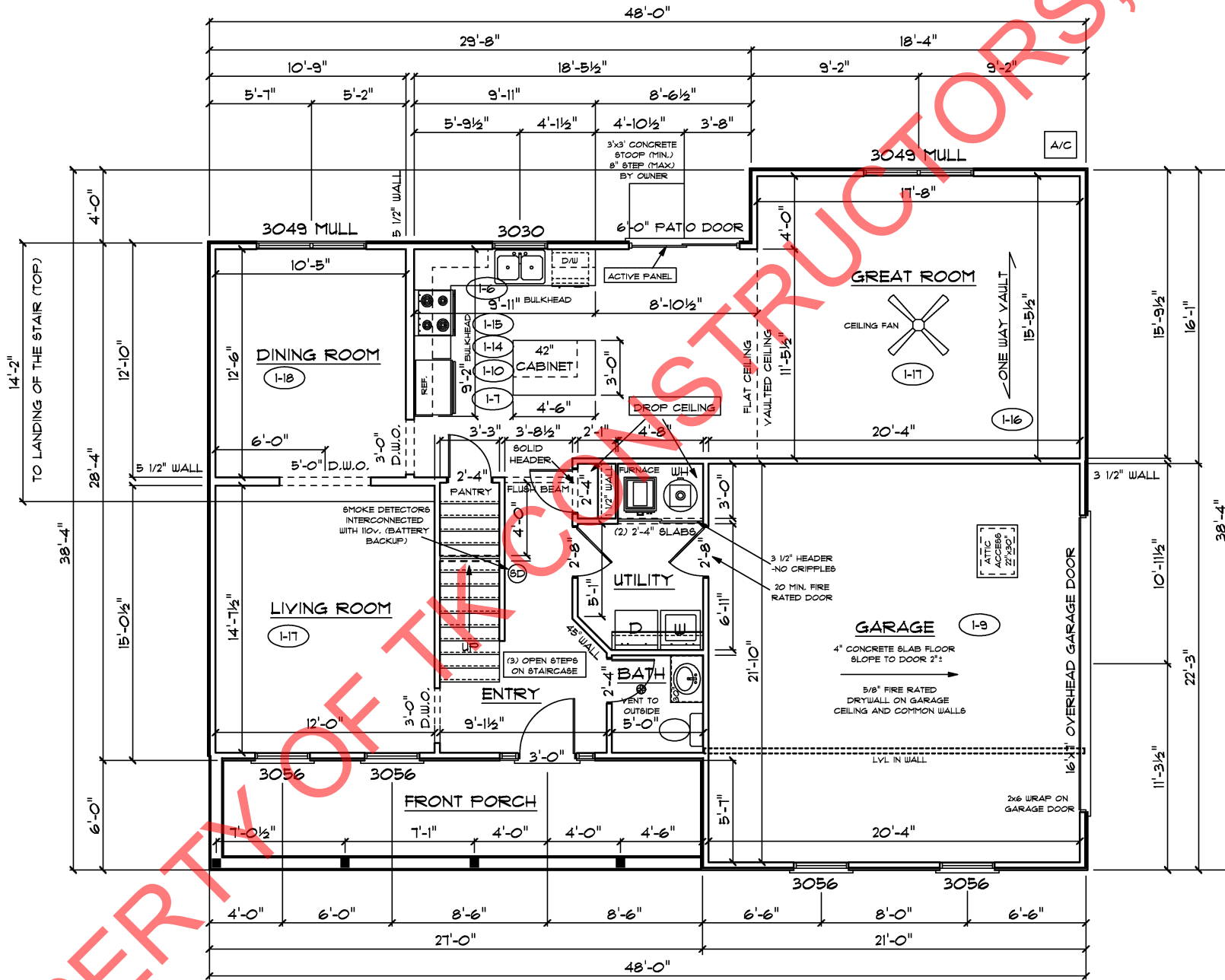
FRONT ELEVATION

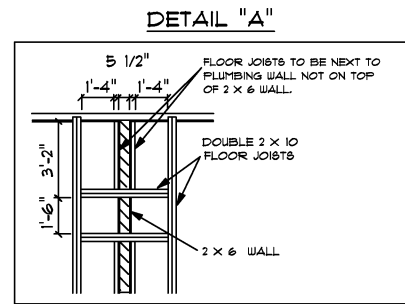


**FIRST FLOOR PLAN**  
VALUE SERIES HOME

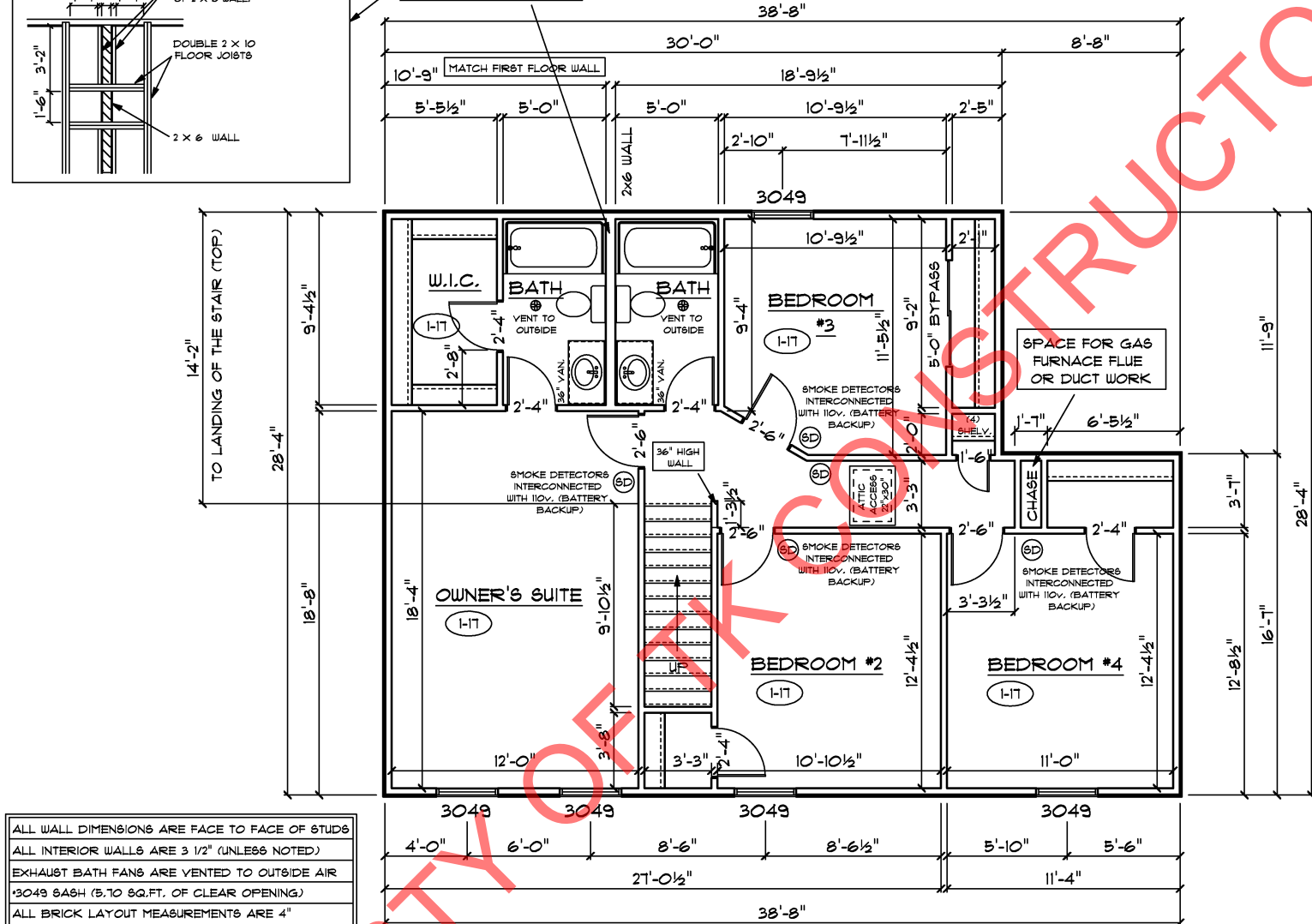
ANDERSEN WINDOWS	
MODEL	R.O. SIZE
3030	36" x 36"
3040	36" x 48"
3049	36" x 51"
3056	36" x 66"
3060	36" x 72"
3049 MULL	73" x 51"
3056 MULL	73" x 66"
3060 MULL	73" x 72"
ANDERSEN SLIDING DOOR	
R.O. 12 3/4" x 82 1/8"	
3/0 FRONT DOOR	
R.O. 3'-2 1/2" x 82 1/2"	
3/0 FRONT DOOR WITH (1) SIDE LIGHT	
R.O. 4'-3 1/2" x 82"	
3/0 FRONT DOOR WITH (2) SIDE LIGHTS	
R.O. 5'-5" x 82"	
R.O. FOR BYFOLD DOORS USING DRY-WALL JAMB FACING IS 1 1/4" DOOR SIZE	
R.O. FOR BYPASS DOORS USING DRYWALL JAMB FACING MAKE SAME AS BOTH DOORS ADDED TOGETHER	
ALL INTERIOR DOORS	
SIZE + 2" TO WIDTH x 82 1/2" HIGH	
R.O. POCKET DOOR - (2x DOOR WIDTH + 1") x 85" HIGH	

ALL WALL DIMENSIONS ARE FACE TO FACE OF STUDS  
ALL INTERIOR WALLS ARE 3/2" (UNLESS NOTED)  
EXHAUST BATH FANS ARE VENTED TO OUTSIDE AIR  
3049 SASH (5.10 SQ.FT. OF CLEAR OPENING)  
ALL BRICK LAYOUT MEASUREMENTS ARE 4"





SEE DETAIL "A" FOR FLOOR JOIST LAYOUT



ALL WALL DIMENSIONS ARE FACE TO FACE OF STUDS  
ALL INTERIOR WALLS ARE 3 1/2" (UNLESS NOTED)  
EXHAUST BATH FANS ARE VENTED TO OUTSIDE AIR  
\*3049 SASH (5,10 SQ.FT. OF CLEAR OPENING)  
ALL BRICK LAYOUT MEASUREMENTS ARE 4"

**SECOND FLOOR PLAN**

First Floor Sq.ft.	1,091
Second Floor Sq.ft.	993
Total Living Sq.ft.	2,080
Garage	464
Total Sq.ft.	2,554
Excluding Porch	162

**ANDERSEN WINDOWS**

MODEL	R.O. SIZE
3030	36" x 36"
3040	36" x 48"
3049	36" x 51"
3056	36" x 66"
3060	36" x 72"
3049 MULL	13" x 51"
3056 MULL	13" x 66"
3060 MULL	13" x 72"

ANDERSEN SLIDING DOOR  
R.O. 12 3/4" x 82 1/8"

3/0 FRONT DOOR  
R.O. 3'-2 1/2" x 82 1/2"

3/0 FRONT DOOR WITH (1) SIDE LIGHT  
R.O. 4'-3 1/2" x 82"

3/0 FRONT DOOR WITH (2) SIDE LIGHTS  
R.O. 5'-5" x 82"

R.O. FOR BYFOLD DOORS USING DRY-WALL JAMB FACING IS 1 1/4" DOOR SIZE

R.O. FOR BYPASS DOORS USING DRYWALL JAMB FACING MAKE SAME AS BOTH DOORS ADDED TOGETHER

ALL INTERIOR DOORS  
SIZE + 2" TO WIDTH x 82 1/2" HIGH

R.O. POCKET DOOR - (2x DOOR WIDTH + 1") x 85" HIGH

