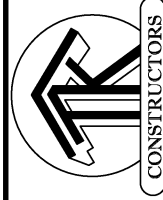
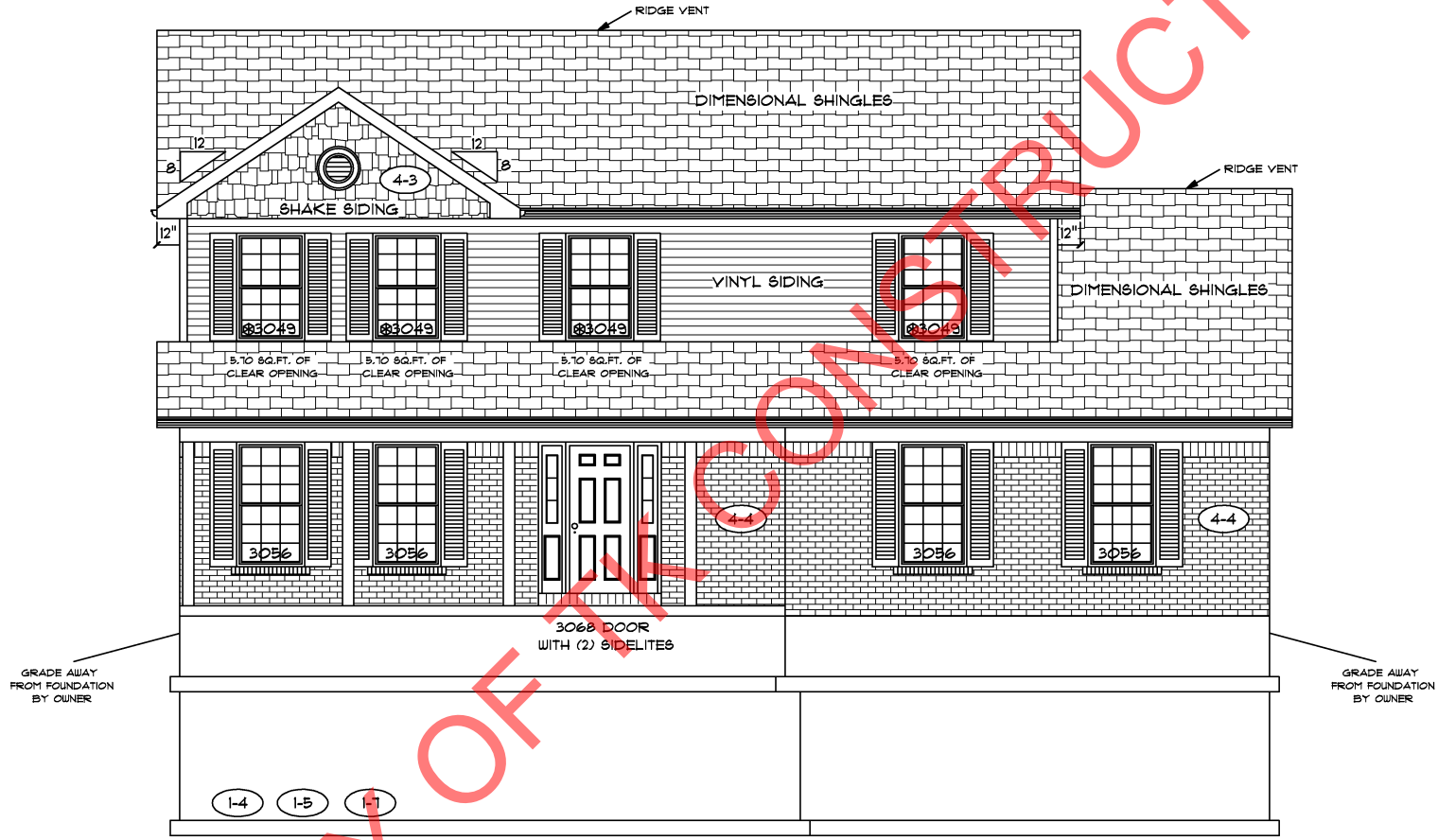
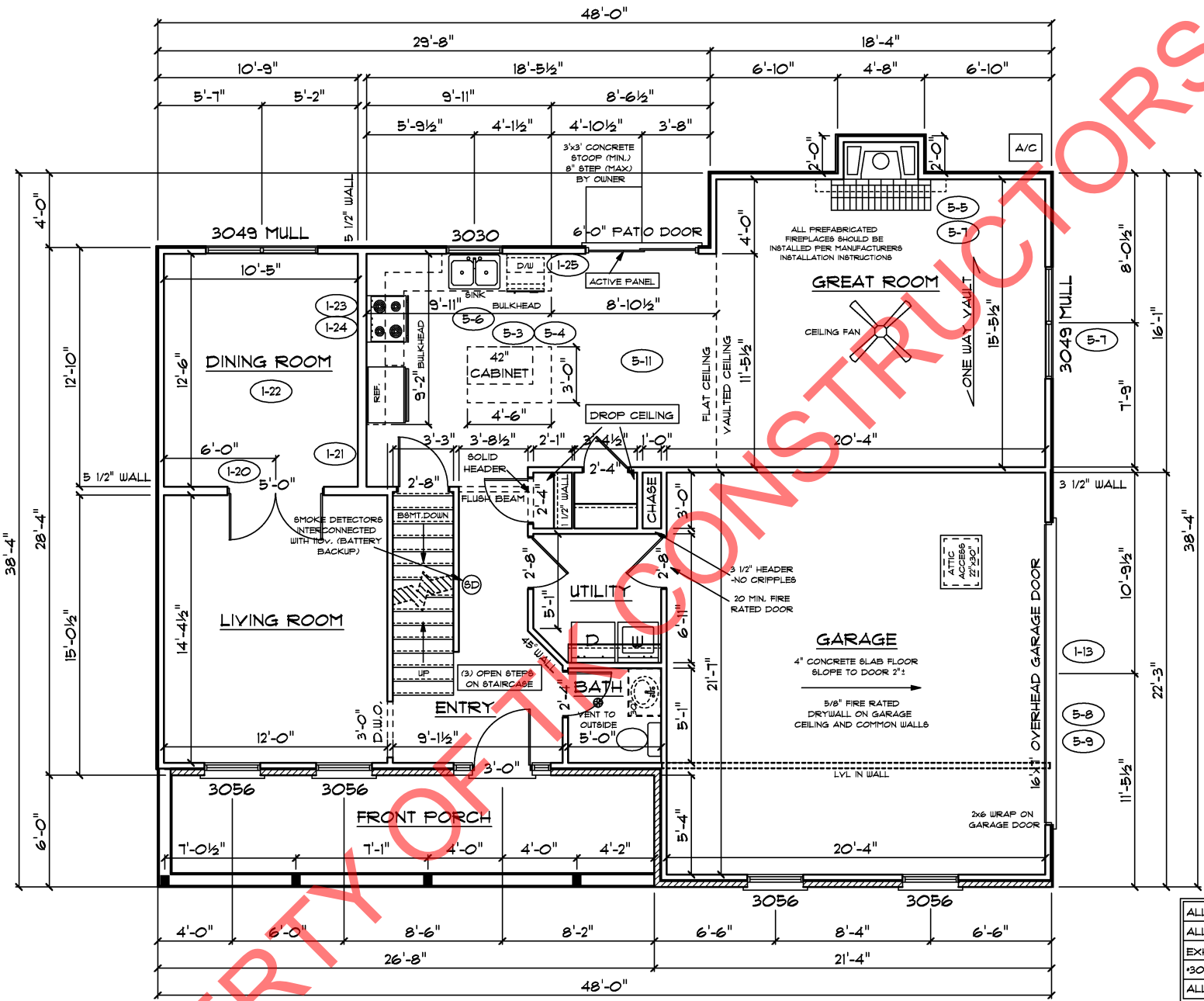


PROPERTY OF TK CONSTRUCTORS, INC



PROPERTY OF TK CONSTRUCTORS, INC



FIRST FLOOR PLAN

ANDERSEN WINDOWS	
MODEL	R.O. SIZE
3030	36" x 36"
3040	36" x 48"
3049	36" x 51"
3056	36" x 66"
3060	36" x 72"
3049 MULL	13" x 51"
3056 MULL	13" x 66"
3060 MULL	13" x 72"

ANDERSEN SLIDING DOOR	
R.O.	SIZE
T2 3/4"	82 1/8"

3/0 FRONT DOOR
R.O. 3'-2 1/2" x 82 1/2"

3/0 FRONT DOOR WITH (1) SIDE LIGHT
R.O. 4'-3 1/2" x 82"

3/0 FRONT DOOR WITH (2) SIDE LIGHTS
R.O. 5'-5" x 82"

R.O. FOR BYFOLD DOORS USING DRY-WALL JAMB FACING IS 1 1/4" DOOR SIZE

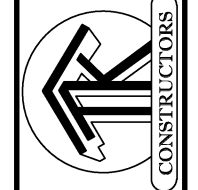
R.O. FOR BYPASS DOORS USING DRY-WALL JAMB FACING MAKE SAME AS BOTH DOORS ADDED TOGETHER

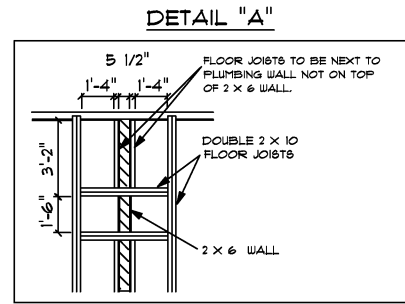
ALL INTERIOR DOORS
SIZE + 2" TO WIDTH x 82 1/2" HIGH

R.O. POCKET DOOR - (2x DOOR WIDTH + 1") x 85" HIGH

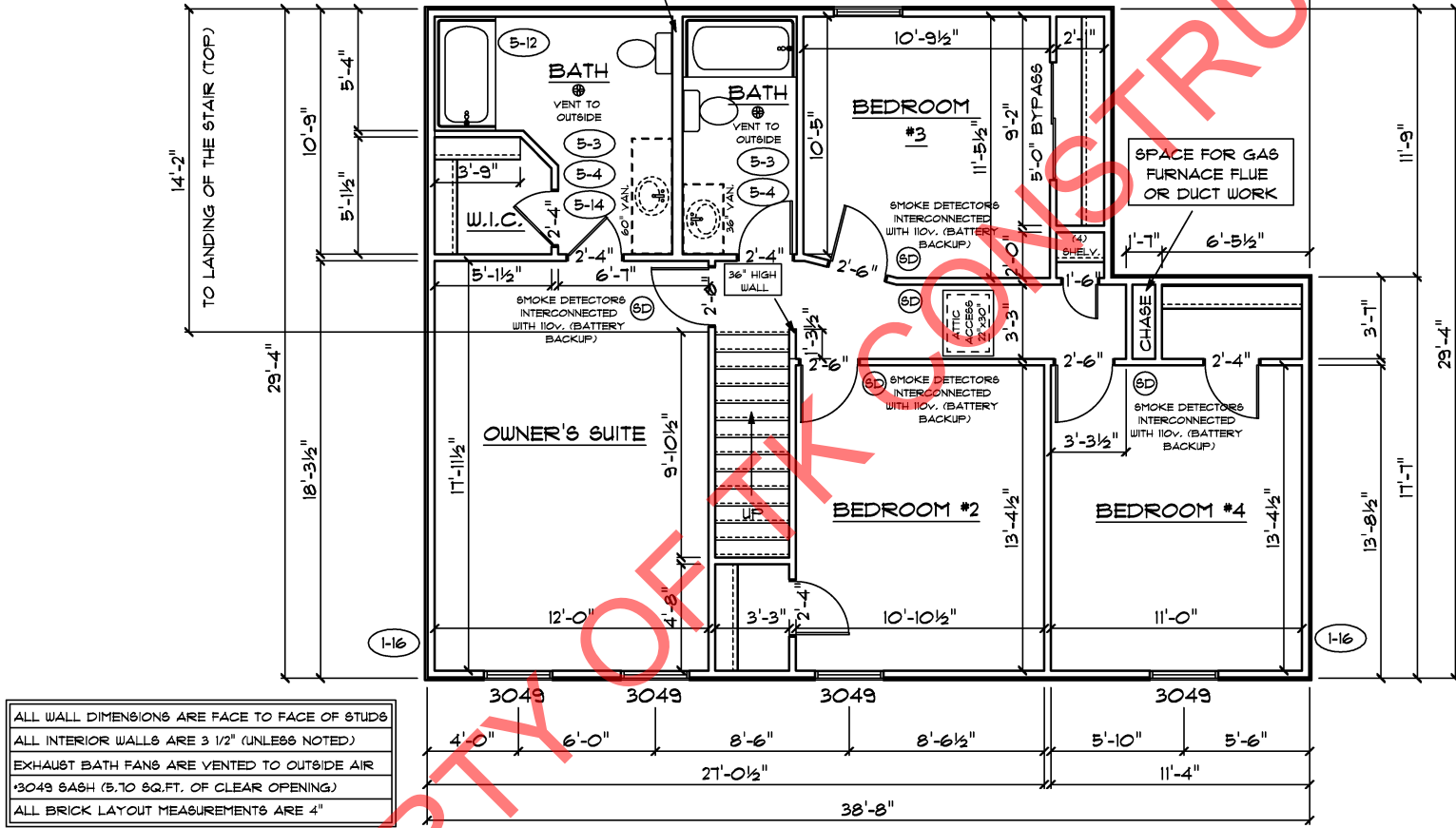
ALL WALL DIMENSIONS ARE FACE TO FACE OF STUDS
 ALL INTERIOR WALLS ARE 3 1/2" (UNLESS NOTED)
 EXHAUST BATH FANS ARE VENTED TO OUTSIDE AIR
 3049 SASH (5.70 SQ.FT. OF CLEAR OPENING)
 ALL BRICK LAYOUT MEASUREMENTS ARE 4"

5-3 INSTALL CUSTOMER'S KITCHEN CABINETS
 5-4 VANITY CABINETS & VANITY TOPS BUT NOT CUSTOMER'S KITCHEN COUNTERTOPS





SEE DETAIL "A" FOR FLOOR JOIST LAYOUT



ALL WALL DIMENSIONS ARE FACE TO FACE OF STUDS
 ALL INTERIOR WALLS ARE 3/2" (UNLESS NOTED)
 EXHAUST BATH FANS ARE VENTED TO OUTSIDE AIR
 #3049 SASH (5.10 SQ.FT. OF CLEAR OPENING)
 ALL BRICK LAYOUT MEASUREMENTS ARE 4"

SECOND FLOOR PLAN

First Floor Sq.ft.	1,091
Second Floor Sq.ft.	1,031
Total Living Sq.ft.	2,128
Garage	464
Total Sq.ft.	2,592
Excluding Porch	160

ANDERSEN WINDOWS	
MODEL	R.O. SIZE
3030	36" x 36"
3040	36" x 48"
3049	36" x 51"
3056	36" x 66"
3060	36" x 72"
3049 MULL	13" x 51"
3056 MULL	13" x 66"
3060 MULL	13" x 72"

ANDERSEN SLIDING DOOR
 R.O. 12 3/4" x 82 1/8"

3/0 FRONT DOOR
 R.O. 3'-2 1/2" x 82 1/2"

3/0 FRONT DOOR WITH (1) SIDE LIGHT
 R.O. 4'-3 1/2" x 82"

3/0 FRONT DOOR WITH (2) SIDE LIGHTS
 R.O. 5'-5" x 82"

R.O. FOR BYFOLD DOORS USING DRY-WALL JAMB FACING IS 1 1/4" DOOR SIZE

R.O. FOR BYPASS DOORS USING DRYWALL JAMB FACING MAKE SAME AS BOTH DOORS ADDED TOGETHER

ALL INTERIOR DOORS
 SIZE + 2" TO WIDTH x 82 1/2" HIGH

R.O. POCKET DOOR - (2x DOOR WIDTH + 1") x 85" HIGH

PROPERTY OF TK CONSTRUCTORS, INC

